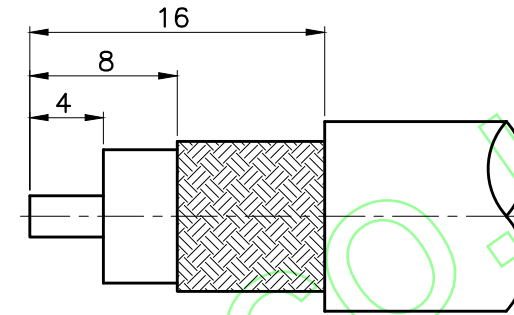
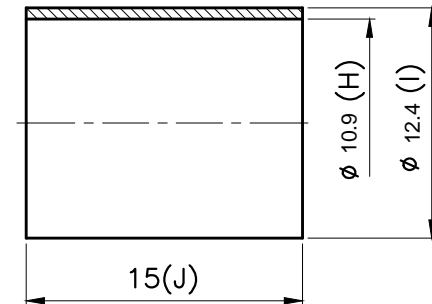
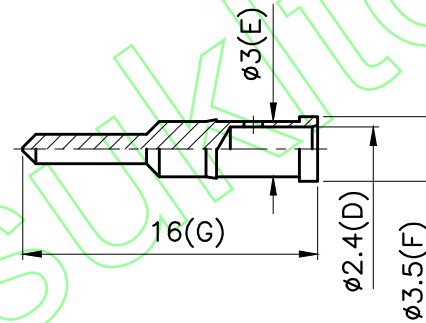
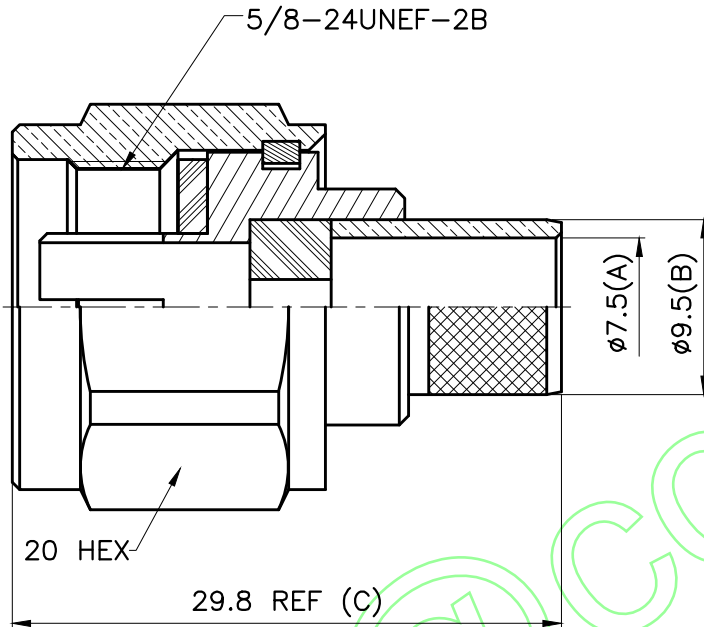


REVISIONS		
ISS	DESCRIPTION	DATE

RoHS COMPLIANT



RECOMMENDED
CABLE STRIPPING DIM'S



1. CRIMPED FERRULE
HEX CRIMP SIZE .429"
2. CRIMPED CONTACT PIN
HEX CRIMP SIZE .100" OR SOLDER

CONNECTORS CABLES



SPECIALISTS LTD.

TITLE: N MALE CRIMP

RG213 AND URM67

PART NO: NPCR213HEX

DRAWING NO:

APRD:

CHKD:

DR:

DATE: 04/03/19"

UNIT: mm

SCALE: 2.5/1

UNLESS OTHERWISE
SPECIFIED TOLERANCES
0.5-6 = ±0.2
>6-30 = ±0.4
>30-120 = ±0.6
>120-315 = ±1
>315-1000 = ±1.6
ANGLES = ±5°

FERRULE	BRASS	NICKEL
CONTACT PIN	BRASS	GOLD
SHELL	BRASS	NICKEL
C RING	BRASS	NONE
GASKET	RUBBER	RED
BODY	BRASS	NICKEL
INSULATOR	TEFLON	WHITE
BODY	BRASS	NICKEL
NO. DESCRIPTION	MATERIAL	FINISH